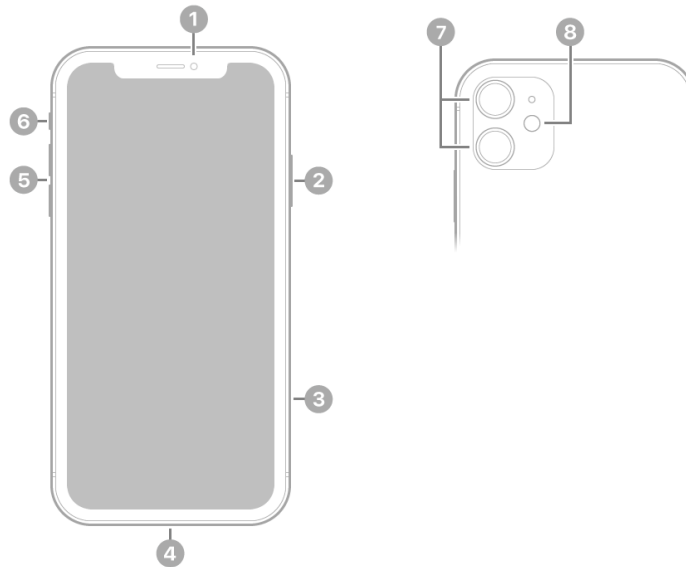


# iPhone® At A Glance

iPhone®

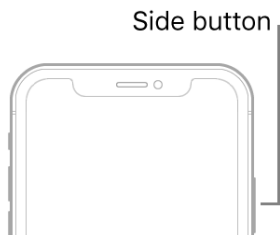
## iPhone®



- ① Front-facing camera
- ② Side button (Sleep/Wake)
- ③ SIM Tray
- ④ Lightning connector
- ⑤ Volume buttons
- ⑥ Ring/Silent switch
- ⑦ Rear cameras
- ⑧ Flash

## Sleep/Wake Button

You can lock iPhone® and put it to sleep when you're not using it. Locking the iPhone® puts the display to sleep, saves the battery, and prevents anything from happening if you touch the screen. You will still get FaceTime calls, text messages, alarms, and notifications, and can listen to music and adjust the volume.



**Lock iPhone®.** Press the Sleep/Wake button.

**Unlock iPhone®.** Press anywhere on the screen or press the Sleep/Wake button. For additional security, you can require a passcode to unlock iPhone®. Go to Settings>Touch ID & Passcode (iPhone® models with Touch ID) or Settings>Passcode (other models).

**Turn iPhone® on.** Hold down the Sleep/Wake button until the Apple logo appears.

**Turn iPhone® off.** Hold down the Sleep/Wake button for a few seconds until the red slider appears onscreen, then drag the slider.

If you don't touch the screen for two minutes, iPhone® locks itself. You can change how long iPhone® waits to lock itself, or set a passcode to unlock iPhone®.

**Set the auto-lock time.** Go to Settings > General > Auto-Lock.

**Set a passcode.** Go to Settings > General > Passcode Lock.

**Go to the Home screen.** Swipe up from the bottom edge of the screen.

On the Home screen, tap an app to open it.

**See apps you've opened.** Swipe up from the bottom of the screen, then pause in the center of the screen.

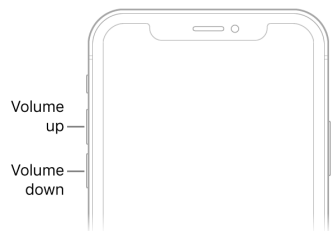
**To browse the open apps.** Swipe right, then tap the app you want to use.

**Use Siri.** Press and hold the side button.

When Siri appears, ask Siri a question or to do a task for you.

## Volume Buttons


Use the Volume buttons to adjust the volume of songs and other media, and of alerts and sound effects.



**Adjust the volume.** Press the Volume buttons.

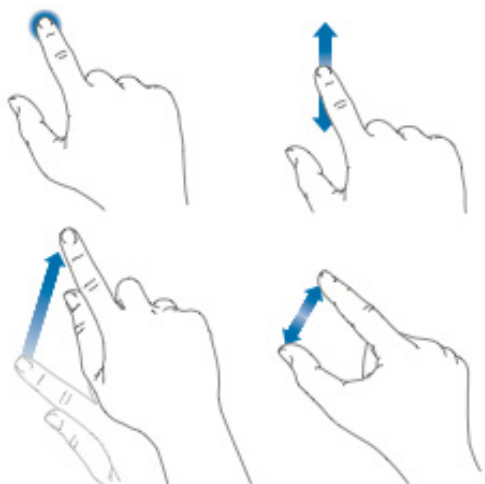
- *Mute the sound:* Press and hold the Volume Down button.
- *Set a volume limit:* Go to Settings > Music > Volume Limit.

You can also use Do Not Disturb to silence FaceTime calls, alerts, and notifications.

Set iPhone® to Do Not Disturb: Swipe down from the upper right corner of the screen to open Control Center, then tap . Do Not Disturb keeps alerts and notifications from making any sounds or lighting up the screen when the screen is locked. Alarms, however, still sound. If the screen is unlocked, Do Not Disturb has no effect. To schedule quiet hours, allow FaceTime calls from specific people, or allow repeated FaceTime calls to ring through, go to Settings > Do Not Disturb.

## Multi-Touch Screen

A few simple gestures—tap, drag, swipe, and pinch—are all you need to use iPhone® and its apps.



## Accessories

The following accessories are included with iPhone®:

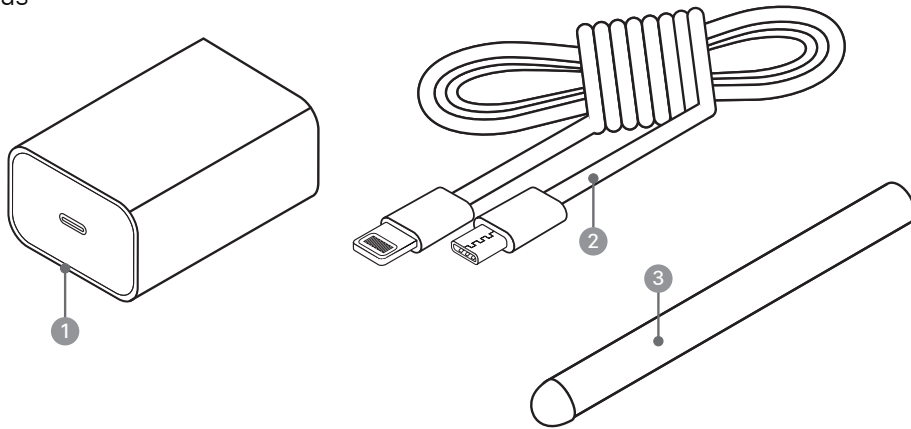
### Power Adapter

Use with the Charging Cable to charge the iPhone® battery.

### Charging Cable

Use this cable to connect iPhone® to the Power Adapter or your computer.

- ① Power Adapter
- ② Charging Cable
- ③ Stylus



### Otterbox Protective Case

You MUST keep the Otterbox Protective Case on the device at all times.

